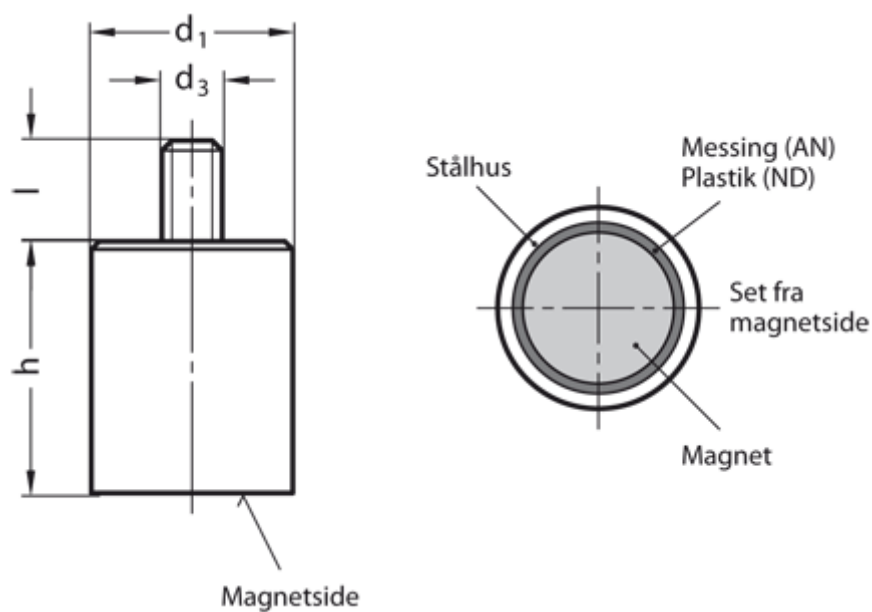


Article number: 201242473A

Description: E+G Retaining magnets with threaded stud GN 52.4-ND-63-M12-E
Neodymium, iron, boron - 80° C, 1300N

Measures



d1	= 63
d3	= M12
h	= 65 ±0,2
Holding force N	= 1300.0
l	= 20
Material	= ND Neodym, iron, boron, 80°C